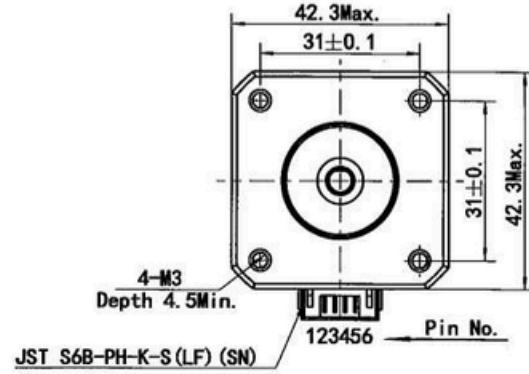
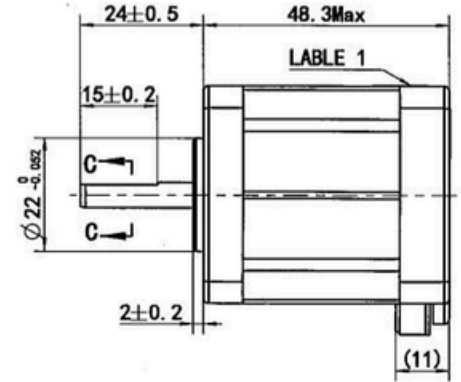
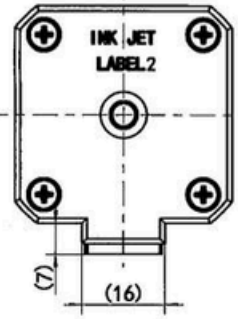
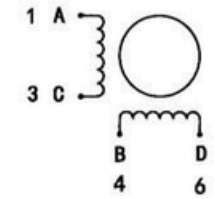


# MS17HD6P4100



### Wiring Diagram



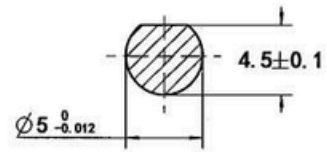
### Exciting Sequence vs. Direction of Rotation

STEP	A	B	C	D	CCW
1	+	+	-	-	↑
2	-	+	+	-	
3	-	-	+	+	
4	+	-	-	+	

Clockwise view from mounting side

1. Number of Phase	2
2. Step Angle	1.8°
3. Rated Voltage	4.9 V DC
4. Rated Current	1 Amp
5. Holding Torque	0.63 Nm Typ. (Two phase on/rated current)
6. Phase Resistance	4.9 ohm±10% (20°C)
7. Phase Inductance	11.5 mH±20% (1kHz 1V rms)
8. Rotor Inertia	82 gcm <sup>2</sup>
9. Motor Weight	0.36 kg
10. Insulation Class	B (130°C)

### C-C (3:1)



### Label1 Detail

MOONS' STEPPING MOTOR  
 Insulation: Class B, 60VDC Max.  
 1Amps Holding: 0.63Nm  
 3000RPM Max. **CAUS**  
 UL FILE No. E465363 XXX

Factory ID

### Label2 Detail

TYPE MS17HD6P4100  
 XXXXXXXX YY/MM/DD  
 Work Order Date Format

REV.	REVISION RECORD	DATE	UNLESS OTHERWISE SPECIFIED	NAMES	SIGNATURE	DATE	Drawing No: 4611110008903	Rev. D1	SCALE: 1:1	Sheet 1 of 1
D1	ECR:23-317	2023.03.29	Unit:mm First angle method Tolerances for linear and angular dimensions without individual tolerance indications GB/T 1804-m eqv ISO 2768-1:m Geometrical tolerance for features without individual tolerance indications GB/T 1184-K eqv ISO 2768-2:K	Approve			<div style="text-align: center;"> <h1>PIVEXIN</h1> <h2>TECHNOLOGY</h2> </div>			
D0	Update nameplate	2017.04.24		Standardize						
C0	620mNm Min, change the nameplate	2013.01.24		Process Review						
B0	change resistance, inductance and voltage	2012.03.15		Check						
A0	Original revision	2011.07.18	Design							